

ALL-NEW

Y69CTM

BIAS TIRE



SMOOTH OPERATOR

- *Compactor C-1 Tire Rollers*

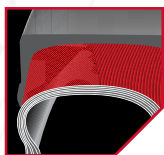
 YOKOHAMA®



ALL-NEW
Y69C™
 BIAS TIRE

UNIFORM PERFORMANCE.

The Yokohama Y69C™ is specifically engineered for use in compacting road beds or rolling asphalt, where highly uniform rolling performance is required. Its special compound and smooth tread design resist adhesion of paving materials and deterioration from oily chemicals such as coal tar. And because it's made by Yokohama, you can count on the Y69C to provide your operation with long-lasting durability.



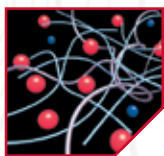
Nylon Ply Construction

Multiple layers of special nylon bias plies support heat dissipation on hot road surfaces for longer wear and consistent results.



Smooth Tread Design

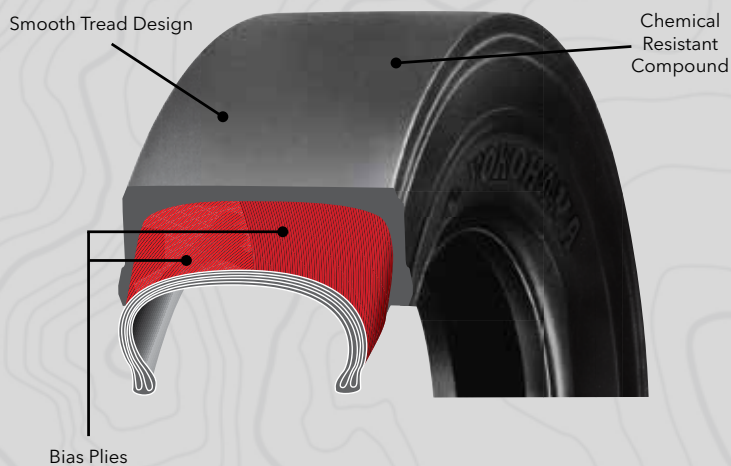
Provides continuous ground contact and even pressure distribution for highly uniform rolling performance.



Chemical Resistant Compound

Offers exceptional resistance to the oily chemicals used in compacting applications for superior results, every time.

DURABILITY ENGINEERED FROM THE INSIDE OUT.



Y69C C-1

Size	Part #	Ply	Compound	Rim Size	Inflated Dimensions		Static Loaded		Ship Weight (lb.)
					Overall Diameter (in.)	Overall Width (in.)	Radius (in.)	Width (in.)	
7.50-16NHS	130117004	6	CR	6.00GS	32.1	8.7	15.2	9.3	59.7
9.00-20NHS	130117005	10	CR	7.00T	40.1	10.4	18.6	11.4	130.66
14/70-20NHS	130117007	14	CR	11.00TG	38	14.5	18.1	14.7	184.02
15.0-20NHS	130117008	16	CR	9.00V	37.8	13.8	18	14.0	157.61